



**VERTICAL
UP-BLAST
ROOF
EXTRACT
RANGE**



CONTENTS

ABOUT VERTICAL UP-BLAST UNITS

2	ABOUT VERTICAL UP-BLAST UNITS
4	PERFORMANCE AND TECHNICAL INFORMATION
7	CONSULTANT SPECIFICATION

Our Vertical Up-Blast range of roof extract units are the perfect fit for commercial high-temperature and ambient applications.

The range is also ideal for commercial applications such as kitchens, cinemas, theatres or shopping centres. These high-performance units are mounted on the roof in a vertical orientation, saving space and eliminating the need for void space installation.

Units feature a bifurcated arrangement with the motor out of the airstream. This technology means that the motor cannot be damaged over time by a build-up of grease or any other air pollutants. Units are also manufactured from a seawater-resistant aluminium casing, making them suitable for coastal applications.

CODING NVU315-2F8

NVU 315 – 2 F8
 1 2 3 4

SAMPLE CODING

1. NVU range
2. Unit size
3. Motor pole
4. F8 – Operating temperature (400°C/2hr)



“Our expertise, experience and innovation is what makes us stand out from the rest of the market.”

Wayne Glover, Managing Director, Nuaire.

For UK sales call **02920 858200**
 or email: enquiries@nuaire.co.uk

For International sales call **+44 (0) 2920 858484**
 or email: international@nuaire.co.uk



BIFURCATED MOTOR

‘Out of the airstream’ motors are ideal for dirty extract or grease-laden air.



QUIET OPERATION

Metal construction reduces overall noise levels.



DEMAND VENTILATION

Fully speed controllable.

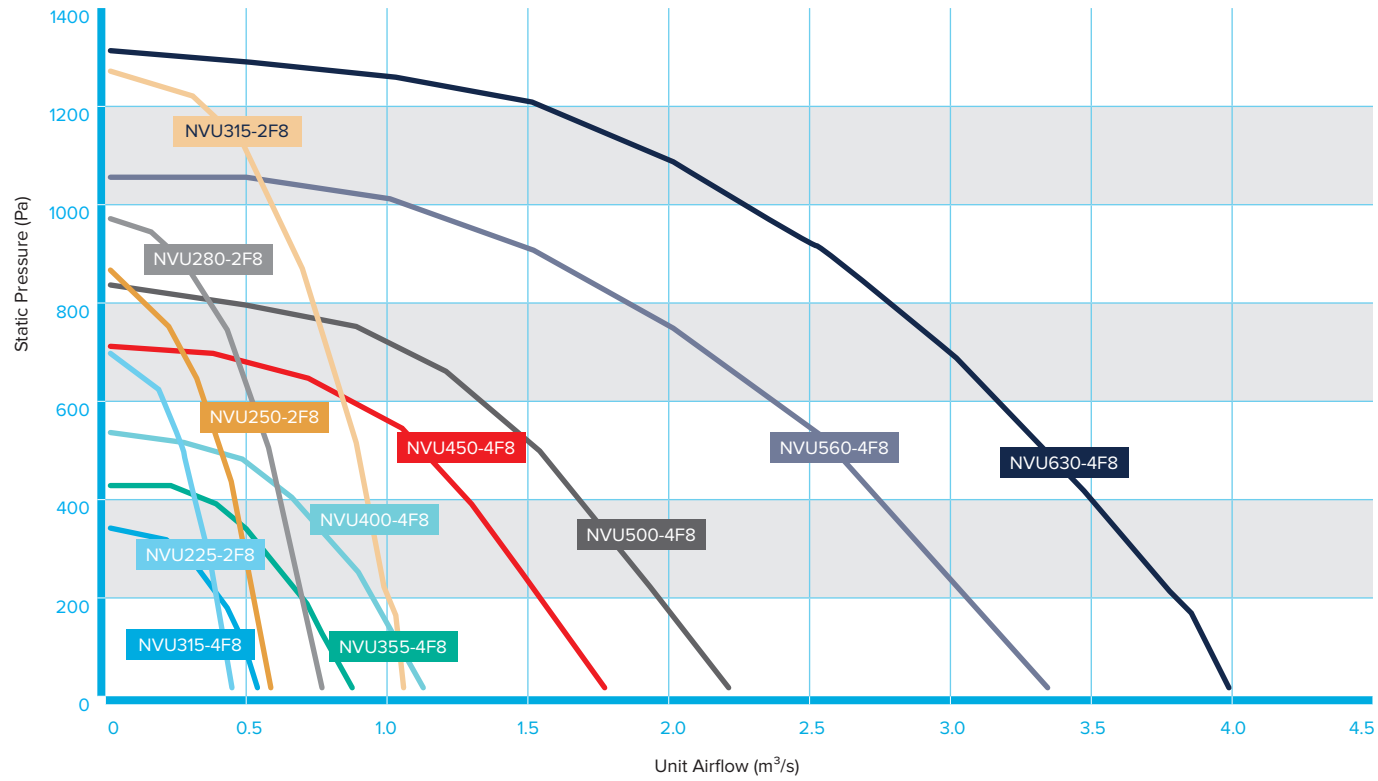


DUAL OPERATION

Suitable for 200°C and one-off 400°C/2hr.

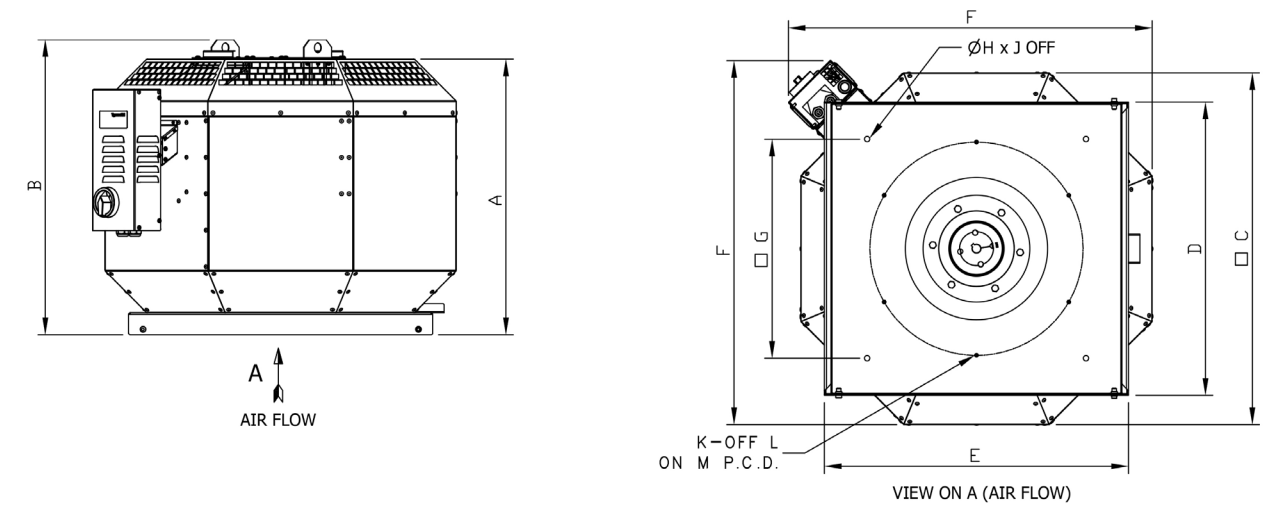
VERTICAL UP-BLAST ROOF EXTRACT UNITS PERFORMANCE & TECHNICAL INFORMATION

PERFORMANCE CHART



TECHNICAL INFORMATION

CODE	PHASE	MOTOR POLE	INPUT POWER (kW)	FAN SPEED (rpm)	FLC (A)	SC (A)	OPERATING TEMPERATURE (°C)	
							ONE-OFF EMERGENCY OPERATION	DAY-TO-DAY OPERATION
NVU225-2F8	3	2	0.284	2930	0.8	7.02	400/2hr	200
NVU250-2F8	3	2	0.425	2885	1.1	7.02	400/2hr	200
NVU280-2F8	3	2	0.627	2810	1.1	7.02	400/2hr	200
NVU315-2F8	3	2	1.1	2870	2.2	17.2	400/2hr	200
NVU315-4F8	3	4	0.202	1480	0.8	8.12	400/2hr	200
NVU355-4F8	3	4	0.312	1470	0.8	8.12	400/2hr	200
NVU400-4F8	3	4	0.492	1450	1	8.12	400/2hr	200
NVU450-4F8	3	4	0.901	1470	2.3	18.2	400/2hr	200
NVU500-4F8	3	4	1.342	1450	2.6	18.2	400/2hr	200
NVU560-4F8	3	4	2.42	1440	4.5	37	400/2hr	200
NVU630-4F8	3	4	4.115	1455	8.1	57.4	400/2hr	200



DIMENSIONS (mm) & WEIGHT (kg)

CODE	A	B	C	D	E	F	G	H	J	K	L	M	WEIGHT
NVU225-2F8	467	484	452	341	363	517	245	9	4	6	M6 x 15	213	28.5
NVU250-2F8	467	484	452	341	363	517	245	9	4	6	M6 x 15	213	28.9
NVU280-2F8	512	531	569	441	464	617	330	11	4	6	M6 x 15	286	34.5
NVU315-2F8	512	529	569	441	464	624	330	11	4	6	M6 x 15	286	39.5
NVU315-4F8	512	529	569	441	464	624	330	11	4	6	M6 x 15	286	39
NVU355-4F8	565	605	722	602	625	747	450	11	4	6	M6 x 15	438	48.1
NVU400-4F8	565	605	722	602	625	747	450	11	4	6	M6 x 15	438	50.4
NVU450-4F8	737	776	902	674	697	901	535	11	4	6	M6 x 15	438	82.5
NVU500-4F8	737	776	902	674	697	901	535	11	4	6	M6 x 15	438	83.7
NVU560-4F8	778	818	1136	936	944	1011	750	11	4	8	M8 x 20	605	127
NVU630-4F8	778	818	1136	936	944	1011	750	11	4	8	M8 x 20	605	137

VERTICAL UP-BLAST ROOF EXTRACT UNITS PERFORMANCE & TECHNICAL INFORMATION

SOUND DATA

CODE	SOUND POWER LEVELS (db re 1pw)	FREQUENCY (HZ)								OPEN INLET/ OUTLET (dBA)
		63	125	250	500	1K	2K	4K	8K	
NVU225-2F8	Induct Inlet	85	80	83	76	71	68	73	66	-
	Open Inlet	73	73	80	75	71	68	73	66	58
	Open Outlet	70	75	82	78	73	71	69	64	59
NVU250-2F8	Induct Inlet	83	85	85	80	74	72	71	73	-
	Open Inlet	71	78	82	79	74	72	71	73	60
	Open Outlet	75	81	86	82	79	76	71	70	64
NVU280-2F8	Induct Inlet	86	86	89	84	77	73	72	74	-
	Open Inlet	76	80	87	83	77	73	72	74	63
	Open Outlet	77	83	94	85	82	78	72	71	68
NVU315-2F8	Induct Inlet	87	87	92	88	81	76	73	71	-
	Open Inlet	77	81	90	87	81	76	73	71	67
	Open Outlet	80	84	98	89	85	81	75	72	71
NVU315-4F8	Induct Inlet	82	80	75	70	62	59	60	65	-
	Open Inlet	72	74	73	69	62	59	60	65	50
	Open Outlet	73	77	77	71	67	62	59	62	53
NVU355-4F8	Induct Inlet	75	83	75	70	64	68	65	66	-
	Open Inlet	67	79	73	70	64	68	65	66	53
	Open Outlet	70	81	76	72	69	66	64	64	54
NVU400-4F8	Induct Inlet	86	88	81	76	71	69	70	66	-
	Open Inlet	78	84	79	76	71	69	70	66	58
	Open Outlet	80	86	82	78	75	69	68	62	60
NVU450-4F8	Induct Inlet	78	90	81	75	69	67	66	63	-
	Open Inlet	71	86	80	75	69	67	66	63	57
	Open Outlet	76	89	85	79	76	70	67	62	61
NVU500-4F8	Induct Inlet	81	96	85	78	75	72	69	72	-
	Open Inlet	74	92	84	78	75	72	69	72	61
	Open Outlet	76	92	87	82	79	73	70	70	64
NVU560-4F8	Induct Inlet	81	98	90	81	76	75	70	64	-
	Open Inlet	76	96	89	81	76	75	70	64	65
	Open Outlet	82	98	89	85	81	77	73	66	67
NVU630-4F8	Induct Inlet	96	102	98	91	88	84	80	78	-
	Open Inlet	91	100	97	91	88	84	80	78	73
	Open Outlet	93	104	98	94	89	85	80	73	75

dBA for Spherical free field radiation at a distance of 3m.

VERTICAL UP-BLAST ROOF EXTRACT UNITS CONSULTANT SPECIFICATION

OPERATION

Vertical Up-Blast (Dual Purpose) roof-mounted extract range, suitable for continuous operation up to a maximum temperature of 200°C and once-off emergency extract 400°C for a maximum of 2 hours.

Independently tested and certified to EN12101-3 (2015) for emergency extract. Range compliant with ErP 2015 efficiency directive 327/2011.

Case fabrication is from seawater-resistant aluminium with integrated grease pan and drain suitable for kitchen extract applications.

The driven impeller incorporated is a backward-curved centrifugal type, offering optimum operation efficiencies.

The motor is direct driven, IE3 Premium efficiency, IP55, Class F insulation, 400/3/50Hz situated outside of the airstream and is suitable for variable frequency speed control.

Unit is fitted with an IP55 pre-wired lockable isolator, tested and approved in conjunction with the fan ventilator to EN12101-3.

COMMERCIAL

WWW.NUAIRE.CO.UK/COMMERCIAL

RESIDENTIAL

WWW.NUAIRE.CO.UK/RESIDENTIAL

INTERNATIONAL

WWW.NUAIRE.CO.UK/INTERNATIONAL



WESTERN INDUSTRIAL ESTATE | CAERPHILLY | CF83 1NA
T +44 (0) 2920 858484 **E** INTERNATIONAL@NUAIRE.CO.UK
WWW.NUAIRE.CO.UK